

Chemical Engineering

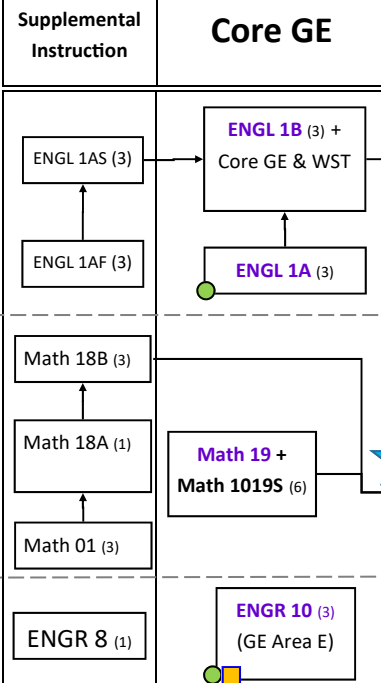
(120 units)

Fall 2020 Catalog

English

Math

ENGR



Core GE Check List:

Basic Skills (9 units)

- A1: _____ (3)
- A2: _____ (3)
- A3: * Pending Degree *(3)

Humanities (9 units)

- C1: _____ (3)
- C2: ENGL 1B _____ (3)
- C3: _____ (3)

Social Science (9 units)

- D1: _____ (3)
- D2: _____ (3)
- D3: _____ (3)

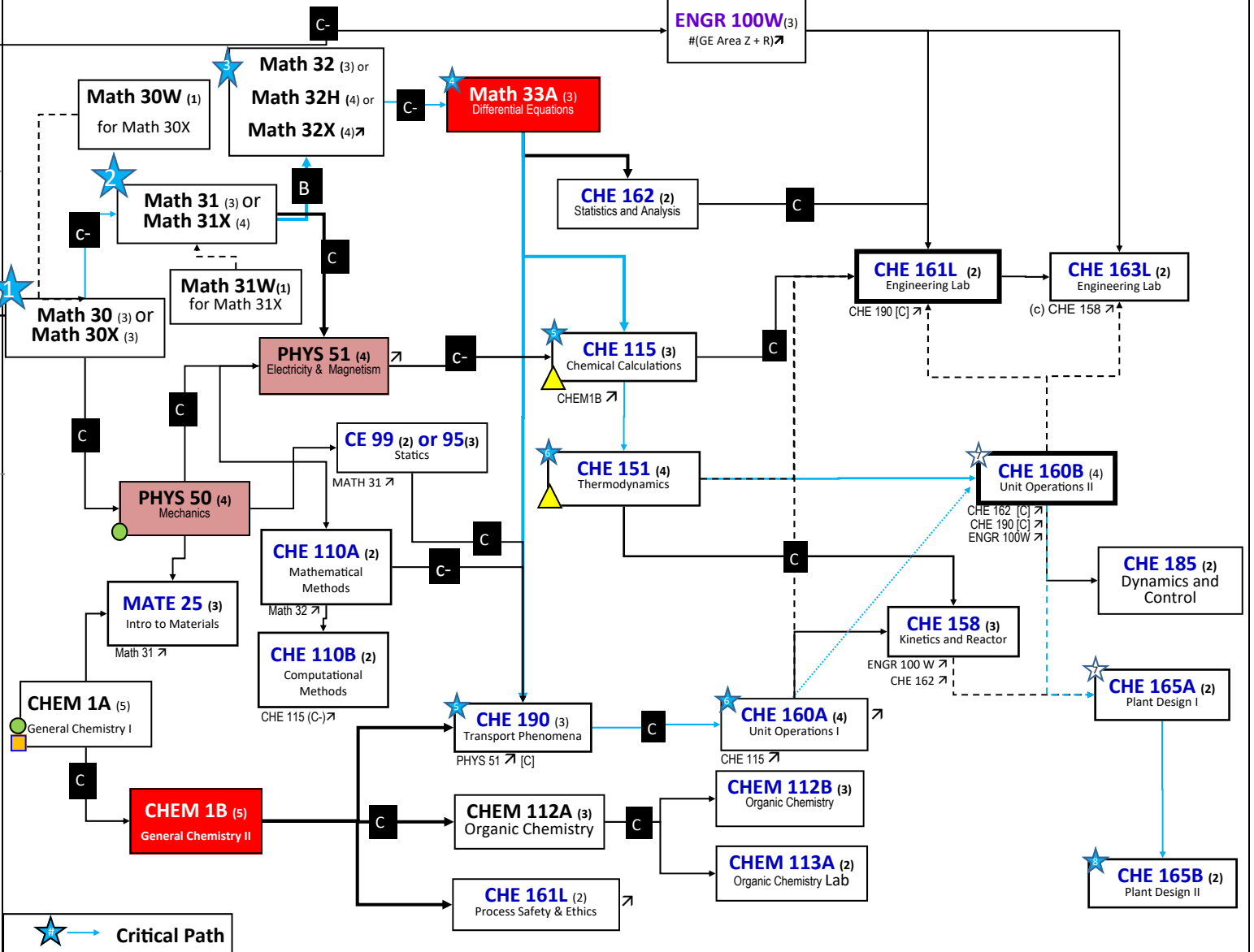
Human Dev. (9 units)

- E: * Engineering 10 *(3)

Amer. Institution (6 units)

- US1: _____ (3)
- US2: _____ (3)
- US3: _____ (3)

#All Undergraduates must either pass a 100W course with "C or better" ("C-" not accepted) OR by "waiver score"



★ → Critical Path

- Pre-requisite (↗ Additional Req.)
- - - (c) Co-requisite (↗ Additional Req.)
- ▲ ENGR 10 Pre-Requisite/Co-Req.
- English 1A Readiness Required
- Math 19 Readiness Required
- Generals Education

Additional Requirements:

Technical Elective Courses: _____ (8 units)

SJSU Studies: R & Z: ENGR 100W _____ (3 units) S: _____ (3 units) V: _____ (3 units)