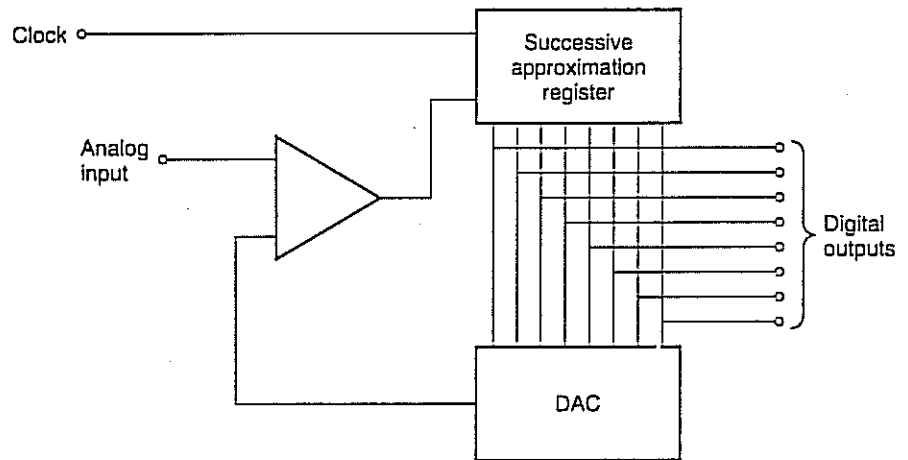
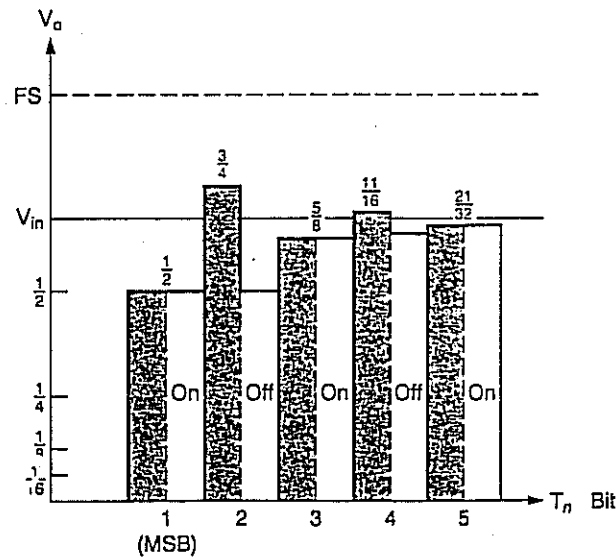


FROM STIFFLER, A.K.,  
 DESIGN WITH MICROPROCESSORS  
 FOR MECHANICAL ENGINEERS,  
 MCGRAW-HILL, NEW YORK, 1992

FIGURE 13.19  
 R/2R ladder DAC.



(a)



(b)

FIGURE 13.34  
 Successive approximation ADC. (a) Circuit; (b) bit status—shaded columns indicate trial.