

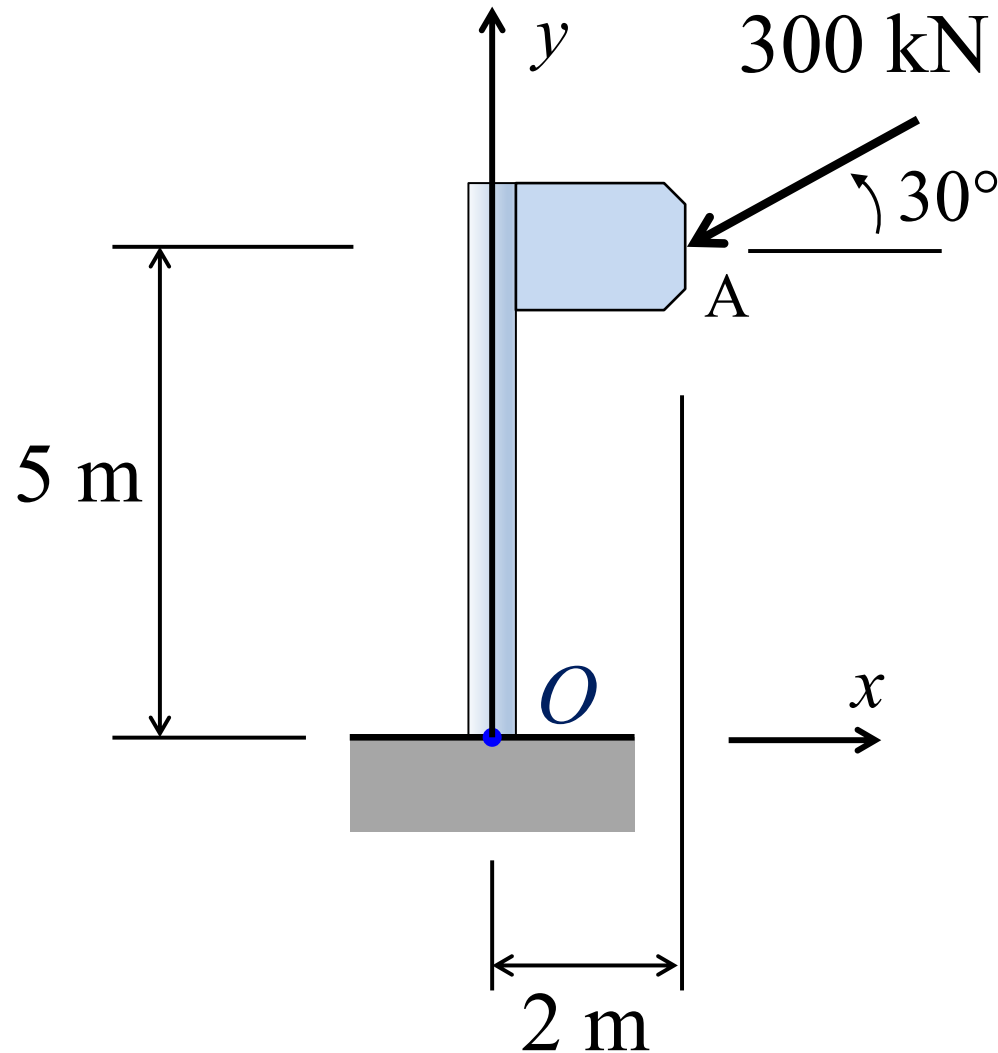
Moment of a Force About a Point

Planar Example Problem

Steven Vukazich

San Jose State University

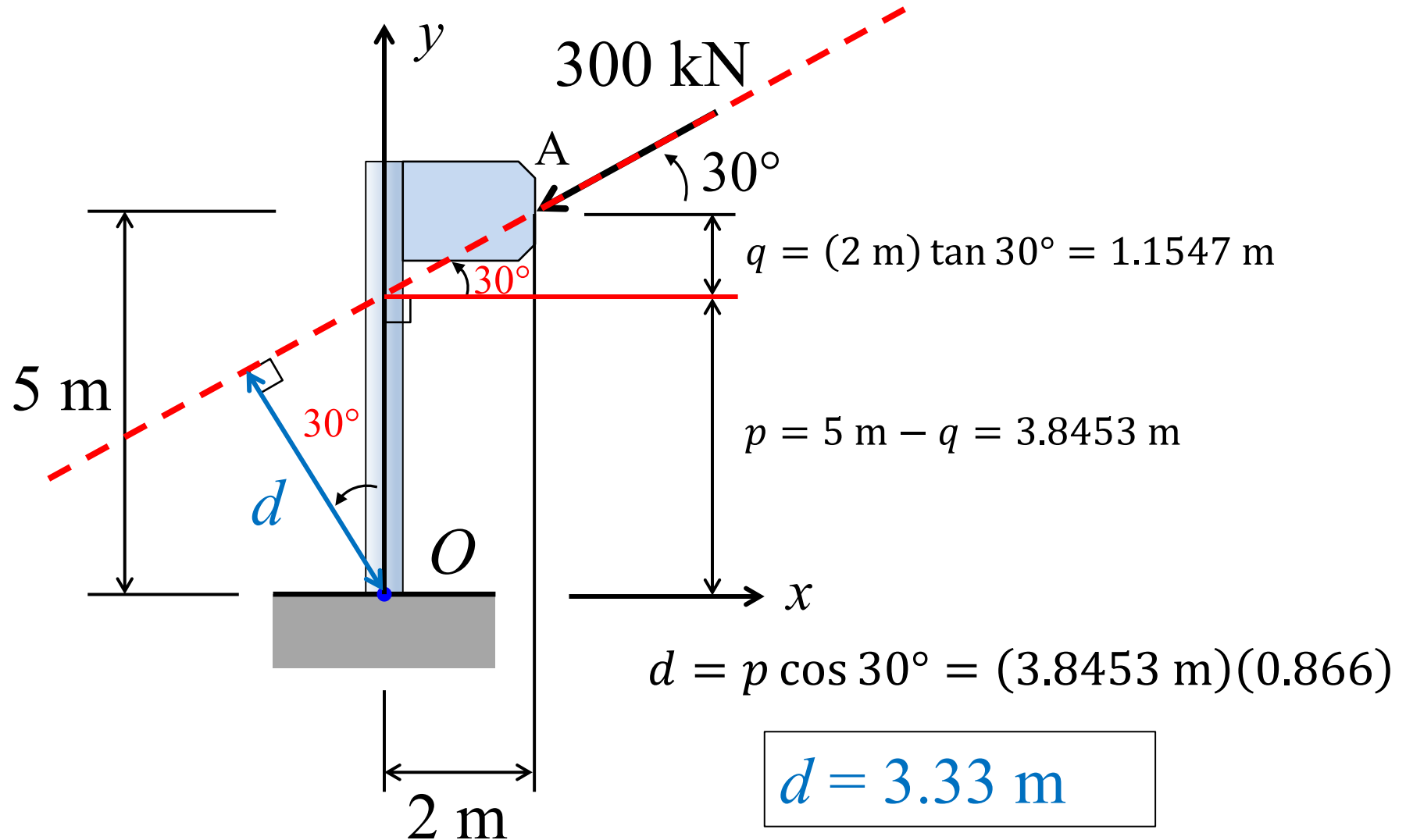
Example Problem



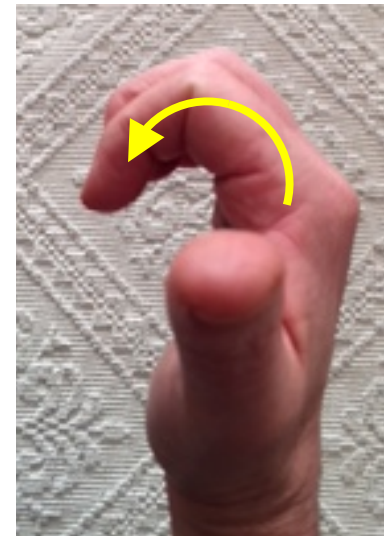
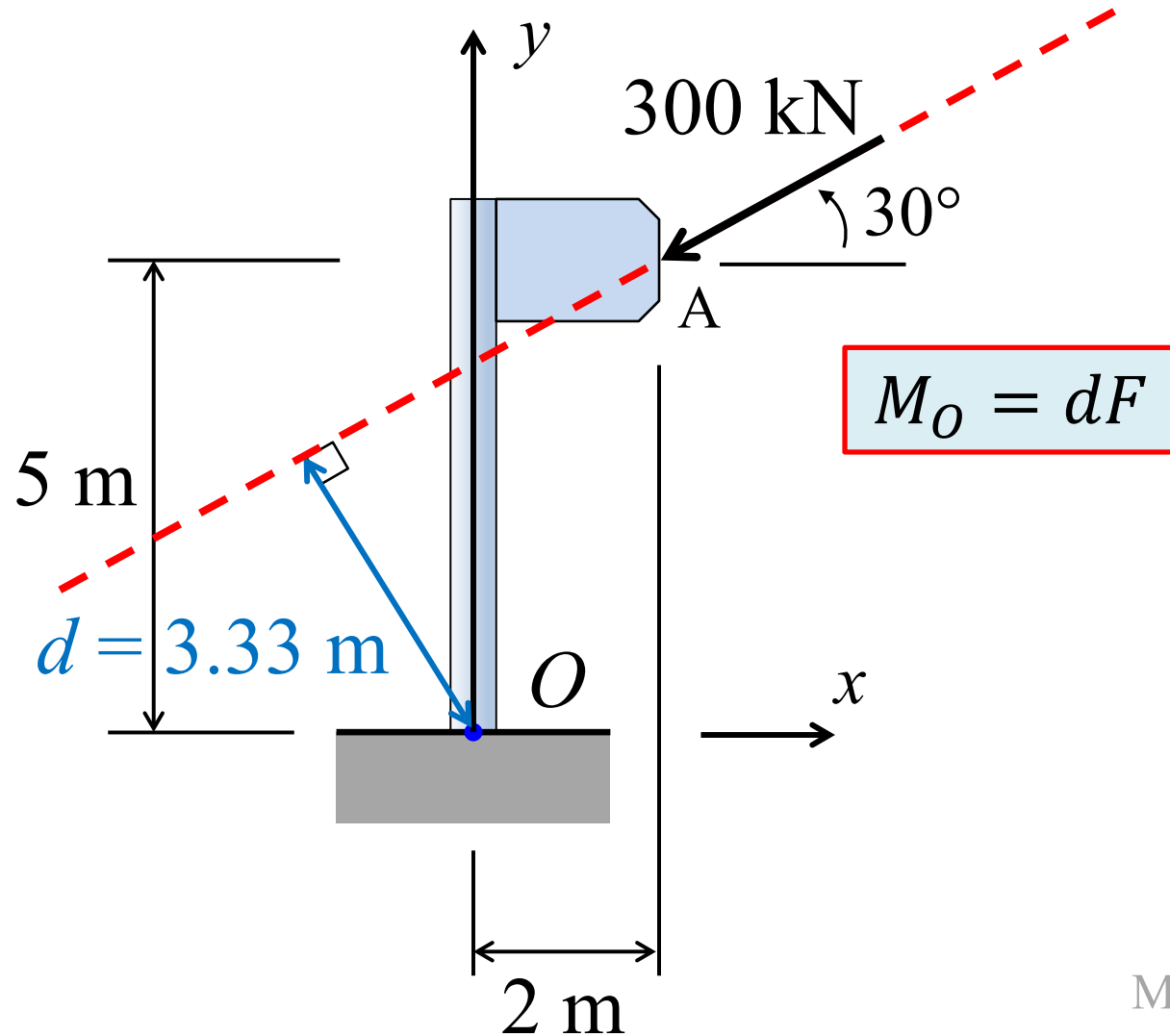
Find the moment of the force, applied at point A , about point O three different ways:

1. Using the perpendicular distance;
2. Adding the moment of each component;
3. Using the cross product of the position vector and the force vector.

Find the Perpendicular Distance to the Line of Action of the Force



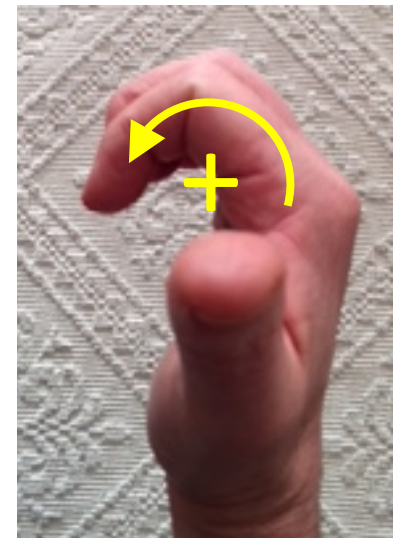
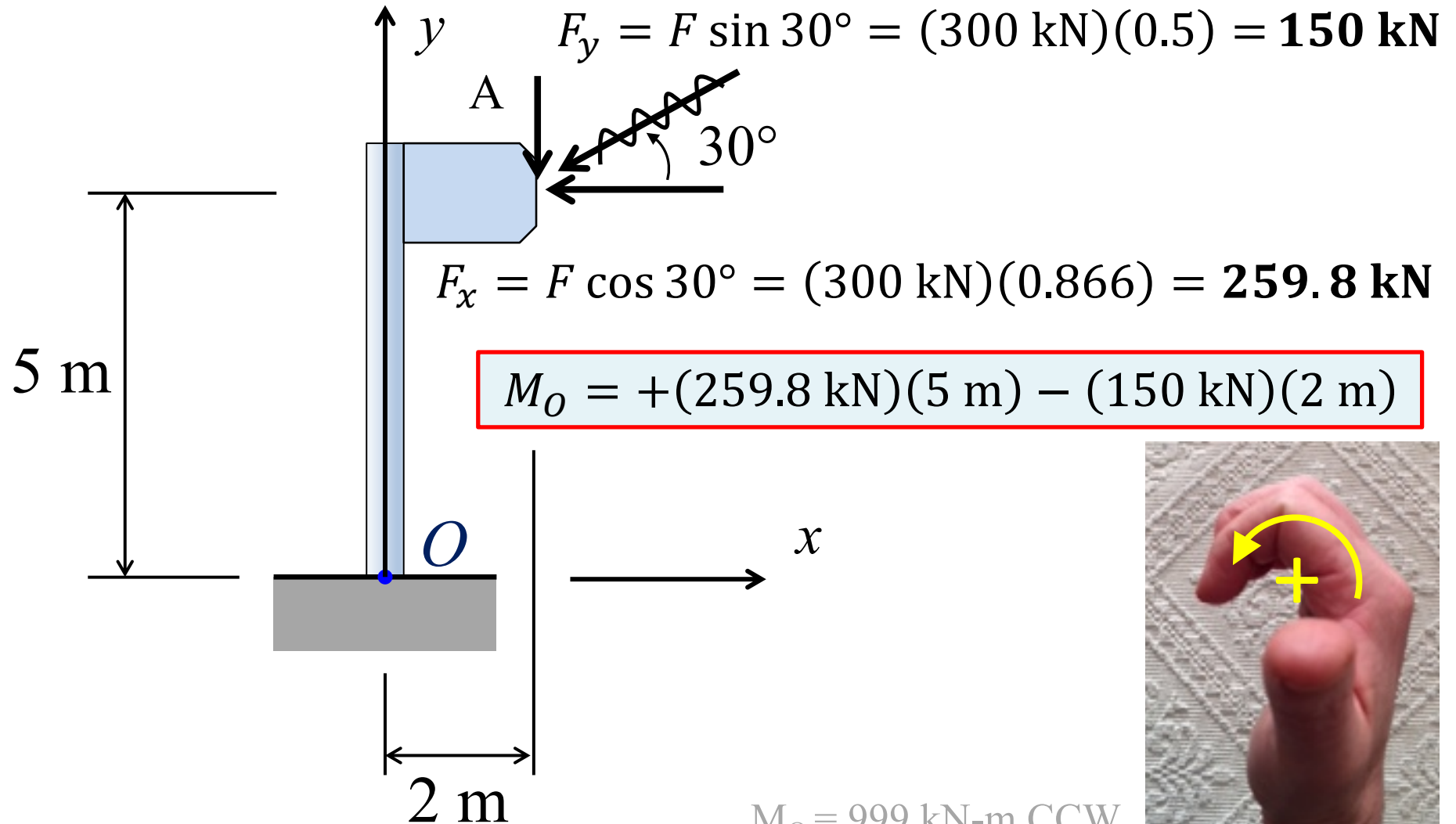
Find the Moment of the Force about Point O Using the Perpendicular Distance



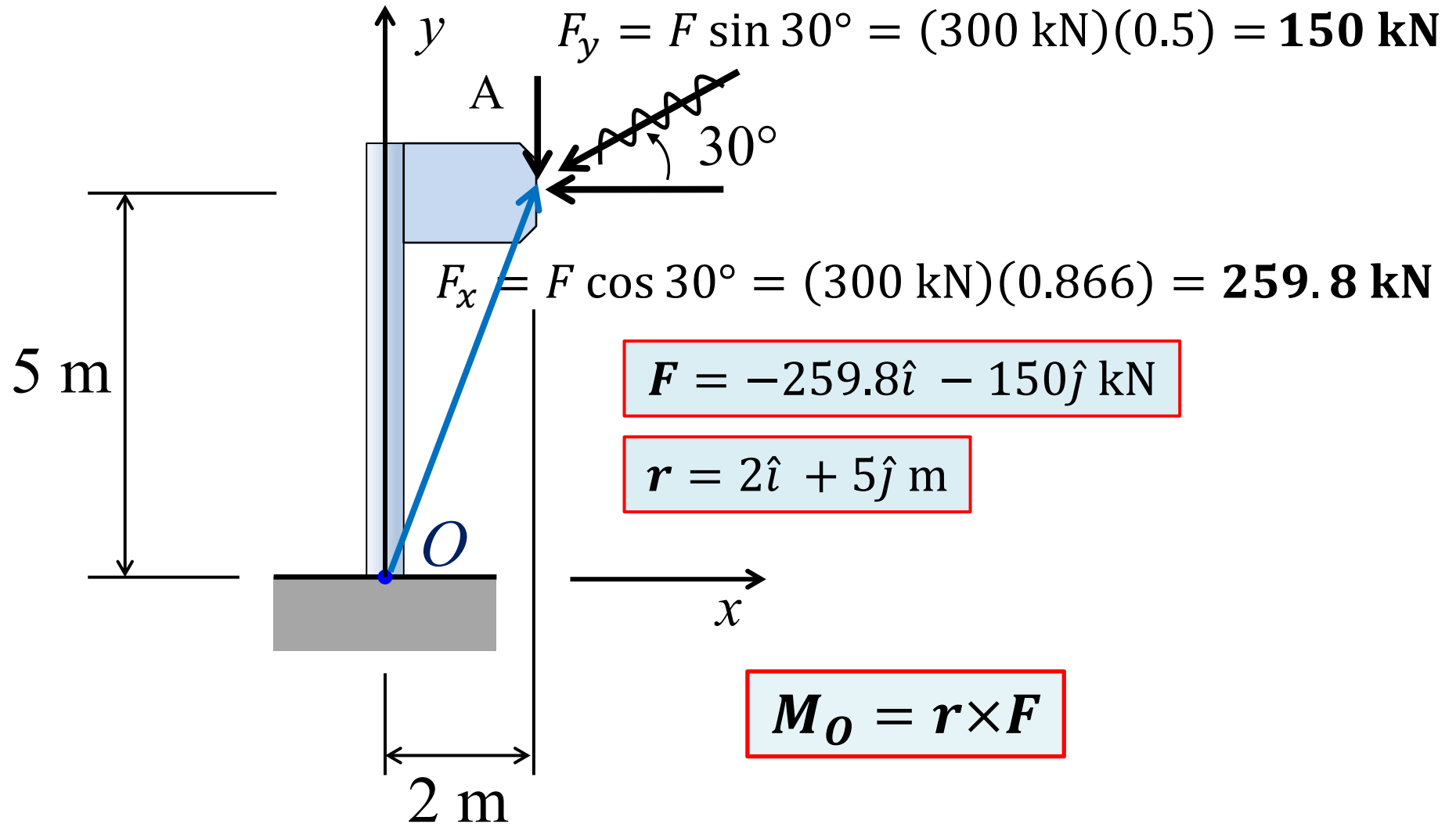
$M_O = 999$ kN-m CCW



Sum the Moments of Each Component of the Force About Point O



Cross Product of the Position Vector and the Force Vector and in Cartesian Vector Form



Cross Product Calculation in Matrix Form

$$\mathbf{r} = 2\hat{i} + 5\hat{j} \text{ m}$$

$$\mathbf{F} = -259.8\hat{i} - 150\hat{j} \text{ kN}$$

$$\mathbf{M}_O = \begin{vmatrix} \hat{i} & \hat{j} & \hat{k} \\ 2 & 5 & 0 \\ -259.8 & -150 & 0 \end{vmatrix}$$

$$\mathbf{M}_O = \begin{vmatrix} \hat{i} & \hat{j} & \hat{k} \\ 2 & 5 & 0 \\ -259.8 & -150 & 0 \end{vmatrix} \begin{matrix} \hat{i} & \hat{j} \\ -259.8 & -150 \end{matrix}$$

(-) (-) (-) (+) (+) (+)

$$\mathbf{M}_O = [(2)(-150) - (5)(-259.8)]\hat{k}$$

$$\mathbf{M}_O = 999\hat{k} \text{ kN-m}$$

$M_O = 999 \text{ kN-m CCW}$

